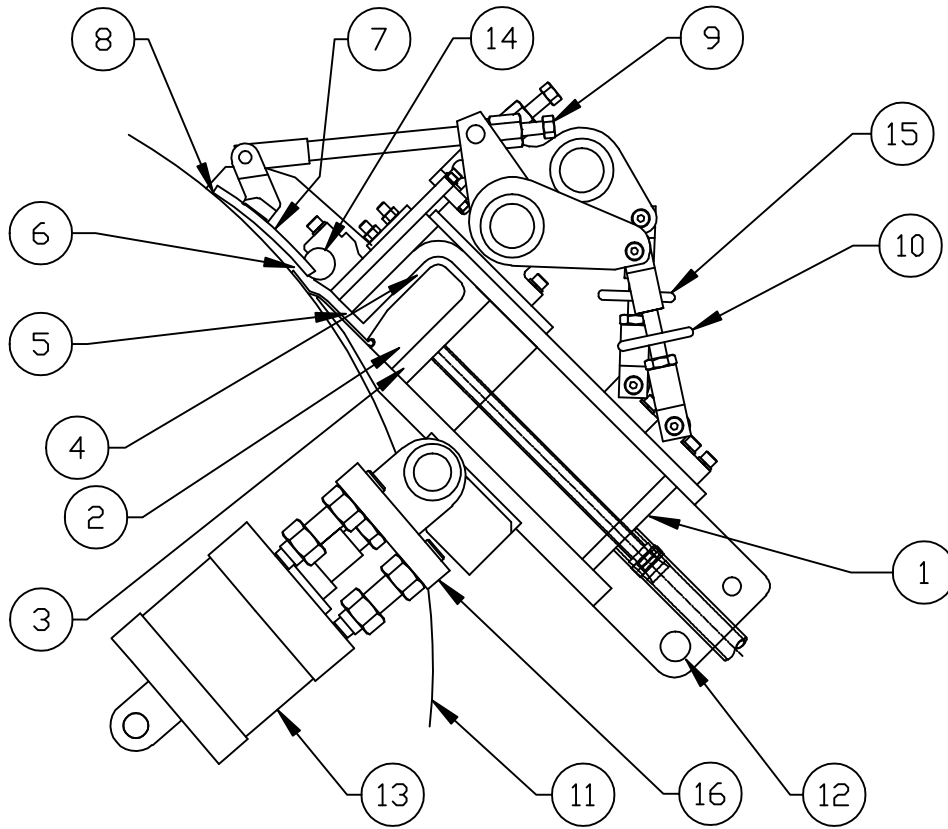


SECTION III
FORMER ELEMENTS & PASSAGES
MODEL HP 2100VTKR



HORNE VT PRESSURE FORMER
WITH RADIAL INLET

1	TUBE BANK	
2	HORSESHOE BAFFLE	
3	CONVERGING ENTRANCE OF DIFFUSER	
4	HORSESHOE CHANNEL	
5	DIVERGING END OF DIFFUSER	
6	THROAT	
7	LID	
8	LID TIP	
9	FINE LID TIP ADJUSTING SCREWS	
10	LID ENCLOSURE ADJUSTMENT	
11	CYLINDER MOULD	
12	FORMER PIVOT PIN	
13	AIR CYLINDER	
14	LID KNUCKLE	
15	VARIABLE THROAT ADJUSTMENT	
16	3 POINT POSITIVE ADJ. STOPS	